

SPECIFICATION

Rating : 50mA 12V DC.
 Insulation resistance : >100MΩ 250V DC.
 Withstand voltage : 250V AC for 1 minute.
 Contact resistance : <100mΩ.

Life : 100,000 Cycles.
 Ambient temperature : -25°C ~ +70°C.
 Operating force : 130, 160, 250±50g.

0643~0660



MODEL NO.	L
0643	4.3
0650	5.0
0660	6.0

0670~0695

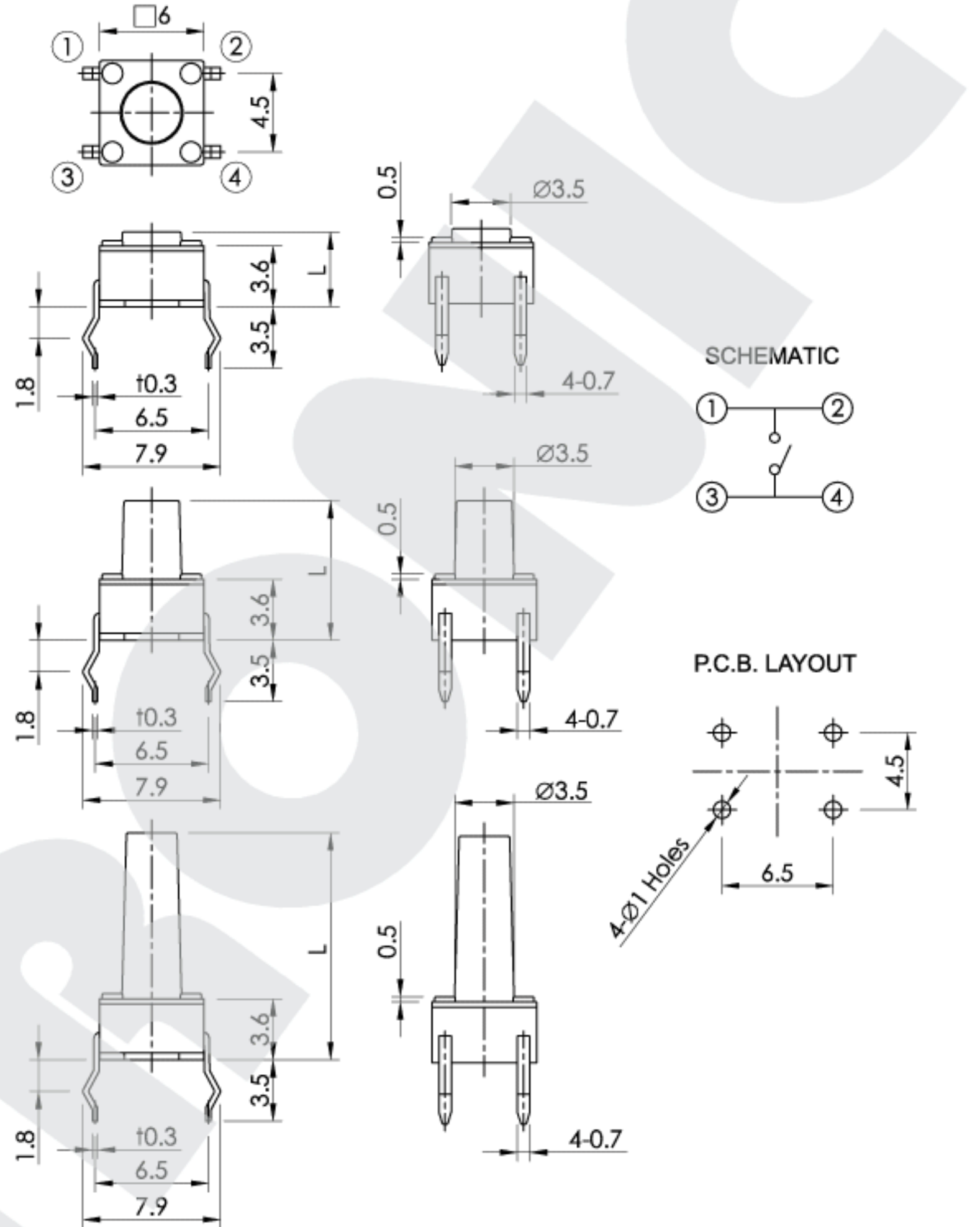


MODEL NO.	L
0670	7.0
0680	8.0
0690	9.0
0695	9.5

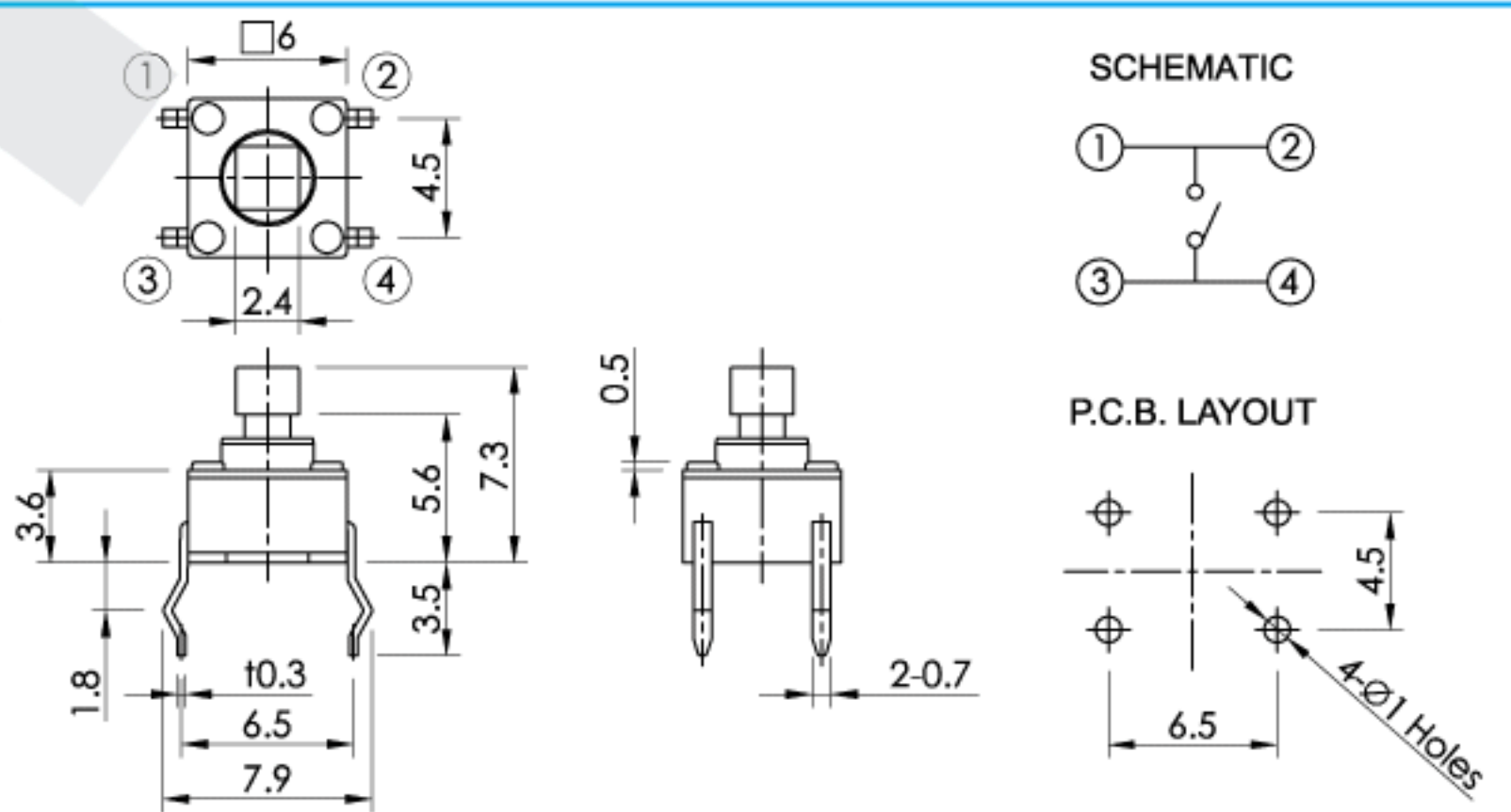
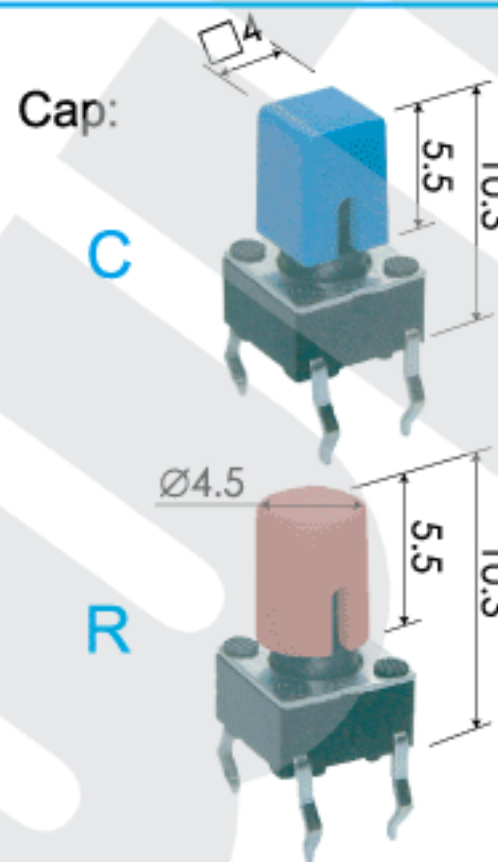
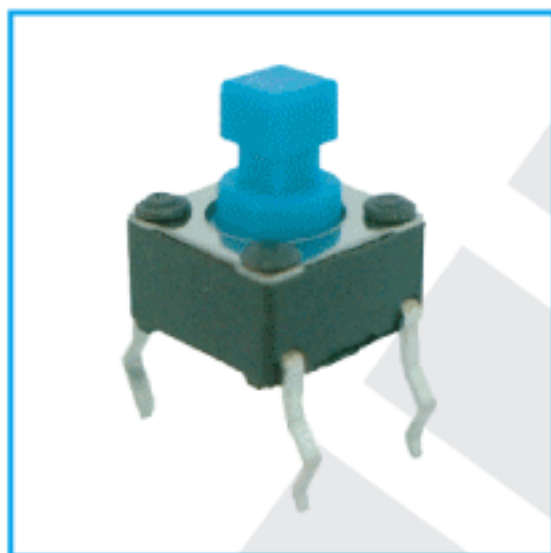
0611~0621



MODEL NO.	L
0610	10.0
0611	11.0
0612	12.0
06125	12.5
0613	13.0
06135	13.5
0614	14.0
0615	15.0
0616	16.0
0617	17.0
0619	19.0
0621	21.0



0673



0643G (Grounding) 0650G



MODEL NO.	L
0643G	4.3
0650G	5.0

