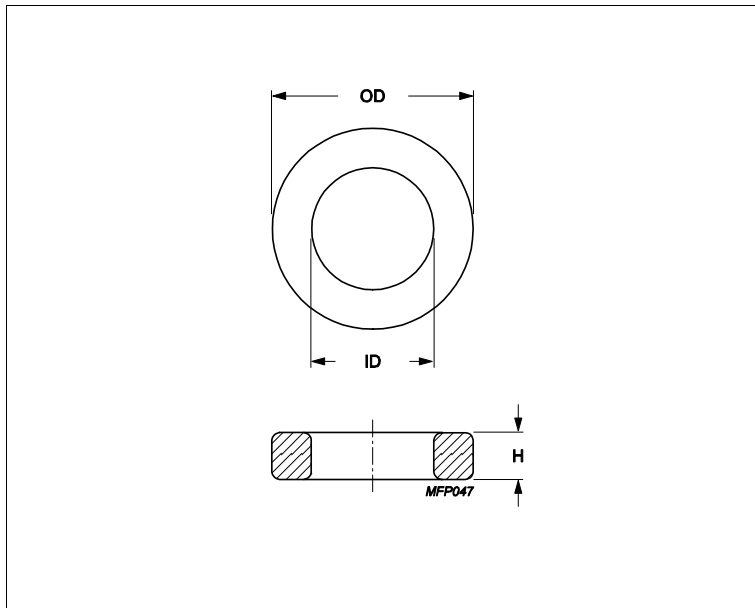


Core **Toroid 16/9.6/6.3**



| Effective parameters | | | |
|----------------------|------------------|-------|------------------|
| | Parameter | Value | Unit |
| $\Sigma(I/A)$ | core factor (C1) | 1.95 | mm ⁻¹ |
| Ve | effective volume | 760 | mm ³ |
| Le | effective length | 38.5 | mm |
| Ae | effective area | 19.7 | mm ² |
| m | mass of core | ≈ 3.8 | g/pcs |

Epoxy coating DC isolation voltage 1500.

Maximum operating temperature of the coating is 200°C.

Dimensions (mm)

| Cores | OD | ID | H | |
|---------------------|-----------|----------|----------|--------------|
| TX16/9.6/6.3 | 16.75 max | 8.95 min | 6.95 max | Epoxy Coated |

Core data

| Cores | Material | Al (nH/turns ²) | Al tolerance | $\mu\epsilon$ |
|---------------------|--------------|-----------------------------|--------------|---------------|
| TX16/9.6/6.3 | 3C94 | 1480 | ± 25% | ≈ 2300 |
| TX16/9.6/6.3 | 3E10 | 6440 | ± 20% | ≈ 10000 |
| TX16/9.6/6.3 | 3E12 | 7730 | ± 30% | ≈ 12000 |
| TX16/9.6/6.3 | 3E27 | 3540 | ± 25% | ≈ 5500 |
| TX16/9.6/6.3 | 3E6 (3E10-M) | 6440 | ± 30% | ≈ 10000 |
| TX16/9.6/6.3 | 3E65 | 3350 | ± 25% | ≈ 5200 |