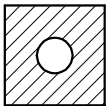
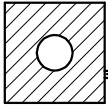
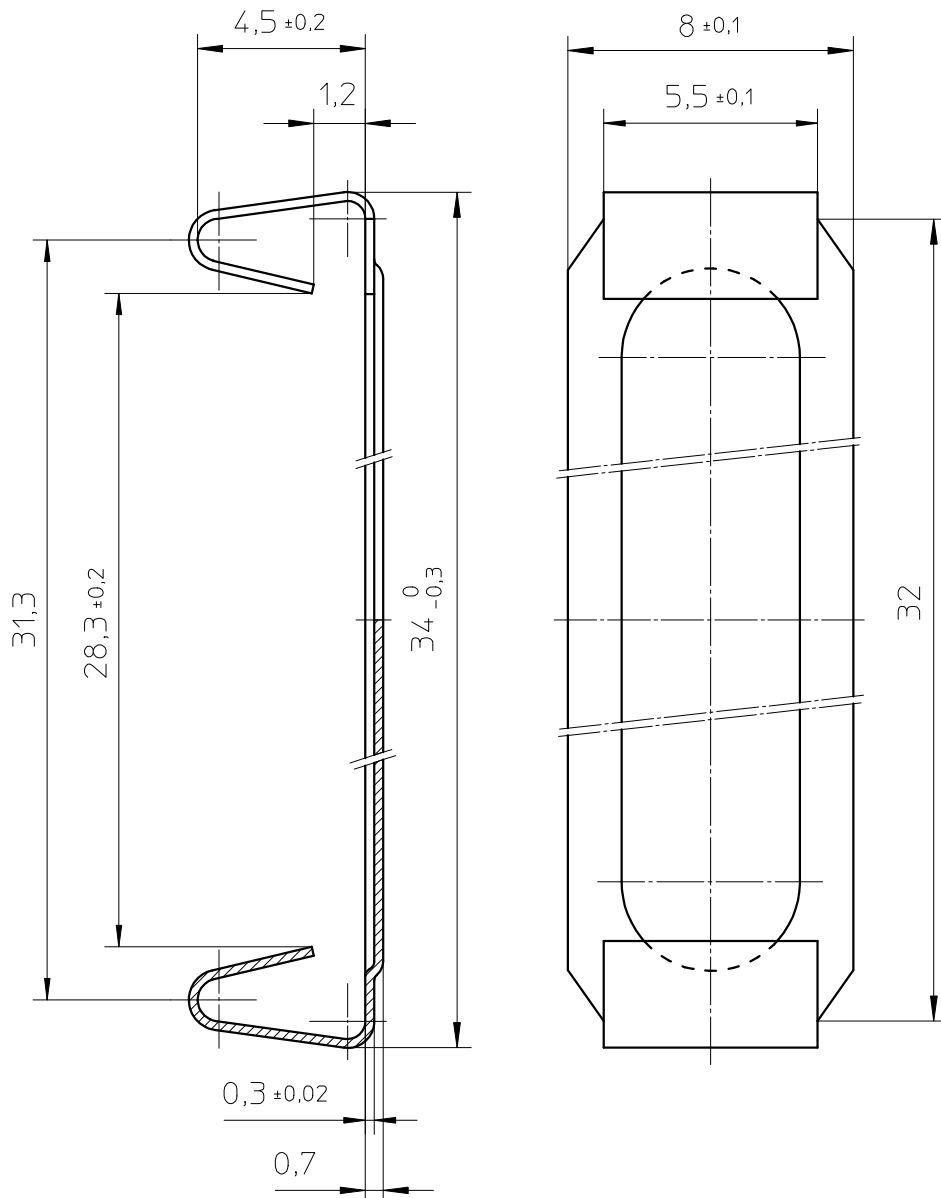


**FERROXCUBE**



1 2 3 4



Clip material : corrosion resisting steel X12 CrNi 17 7

Clamping force by 30 mm : ± 35N.

CLASS.NO.				91-02-22	
		CLI-EFD 30/9		4322 021 35171	
NAME NAAM	M.Veekens	SUPERS. VERV.	1	SH BL.	112 - 001 010
MPA	CHECK CONTR.	DAT.	91-02-22	Property of Eigendom van	© FERROXCUBE 2000
					A4