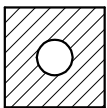
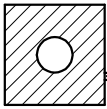
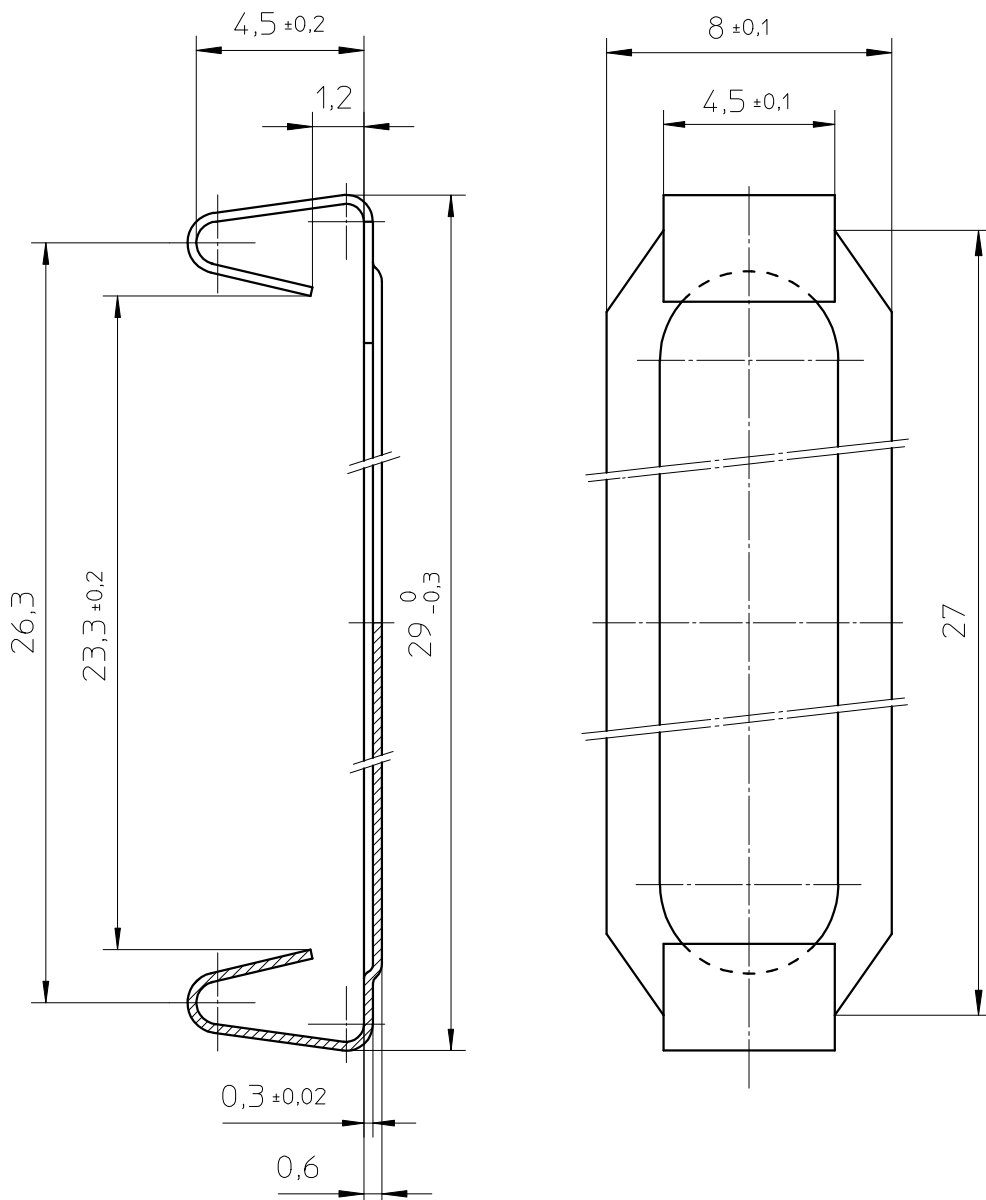


FERROXCUBE



1 2 3 4



Clip material : corrosion resisting steel X12 CrNi 17 7

Clamping force by 25 mm : ± 30N.

CLASS.NO.		91-02-22	
CLI-EFD25		4322 021 35161	
NAME NAAM	M.Veekens	SUPERS. VERV.	1 SH BL.
MPA	CHECK CONTR.	DAT.	91-02-22
Property of Eigendom van		© FERROXCUBE 2000	A4