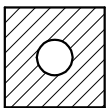
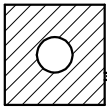


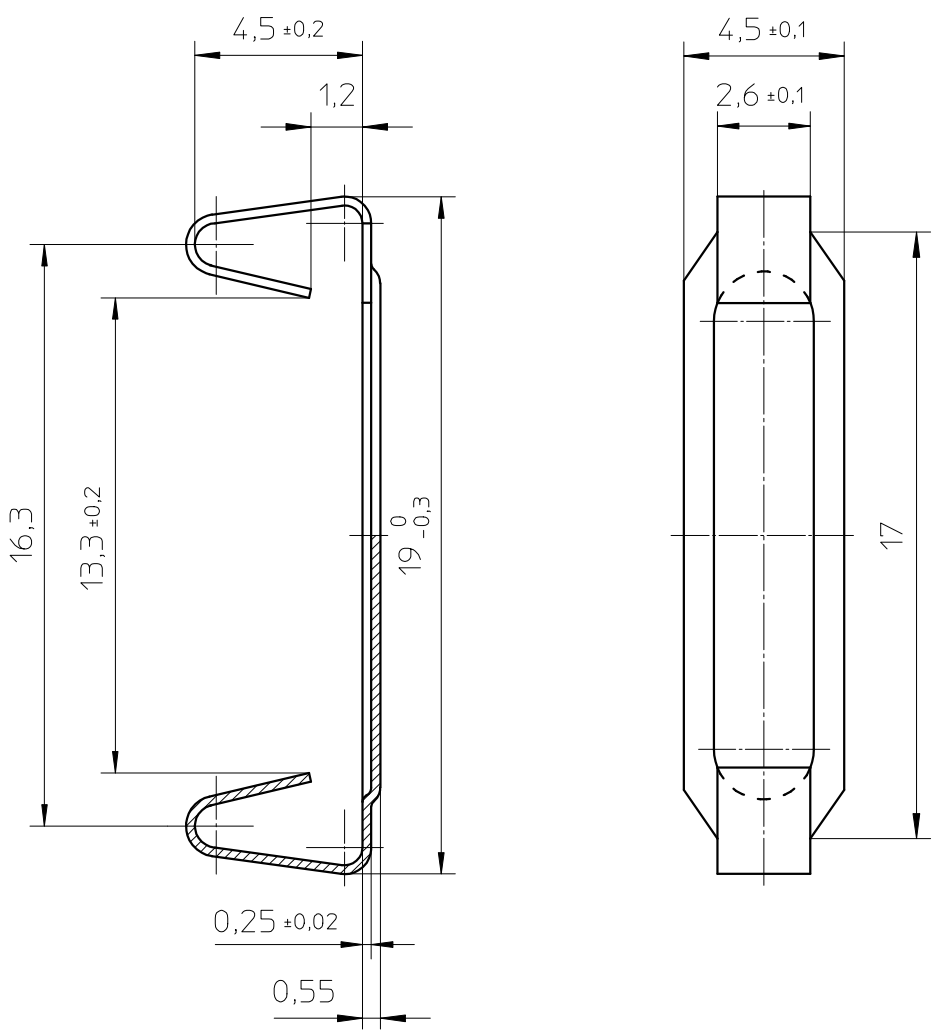
FERROXCUBE



1 2 3 4

a
b
c
d

a
b
c
d



Clip material : corrosion resisting steel X12 CrNi 17 7
Clamping force by 15 mm : ± 12,5N

CLASS.NO.		CLI-EFD15		4322 021 35141		91-02-22	
NAME NAAM		M.Veekens		1 SH BL.		112 - 001 010	
CHECK CONTR.		DAT.		Property of Eigendom van		© FERROXCUBE 2000	
MPA		91-02-22				A4	