

FERROXCUBE

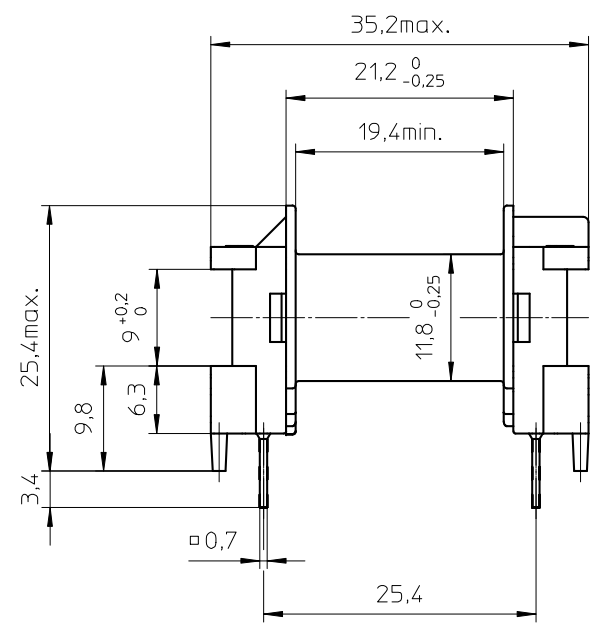
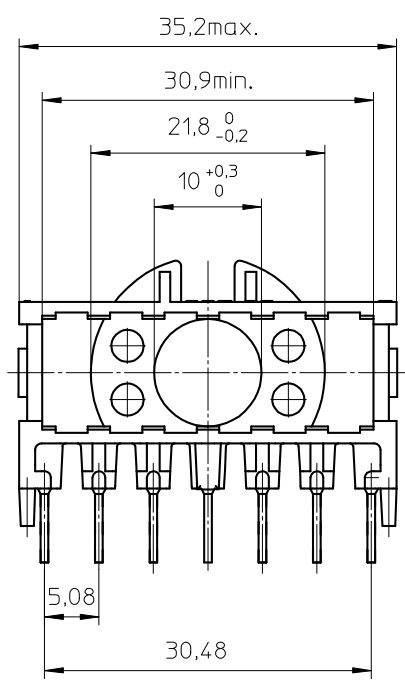


e

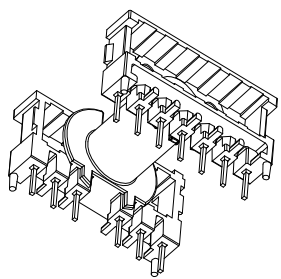
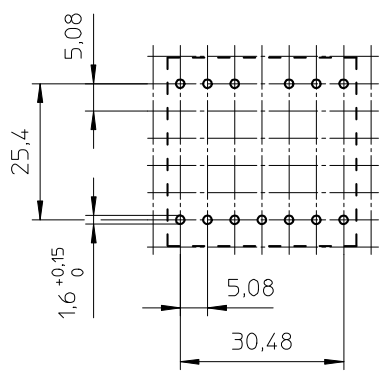
f



1 2 3 4 5 6 7 8



HOLE PATTERN:



- Coil former material: Valox 420SE0 (PBT), glass-reinforced.
UL file number: E45329(R) - UL94V-0.
- Pin material: CuSn - Ni flash, Sn plated.
- Max. operating temp.: acc. to IEC 60 085 class F, 155°C.
- Resistance to soldering heat: acc. to IEC 60 068-2-20 Part 2, Test Tb, method 1B, 350°C-3,5s.
- Solderability: acc. to IEC 60 068-2-20 Part 2, Test Ta, method 1, 235°C-2s.
- Min. winding area: 95 mm².
- Mean length of turn: 52 mm.

CLASSNO.		CPH-ETD29-1S-13P		4322 021 34381		98-07-30
00-05-11						00-05-11
NAME NAAM		M.Tryngiel		SUPERS. VERV.		001
CHECK CONTR.		DAT.		Property of Eigenaam van		112 - 001
		98-07-30		© FERROXCUBE 2000		069
						A3

1 2 3 4