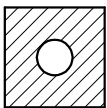
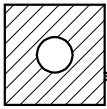


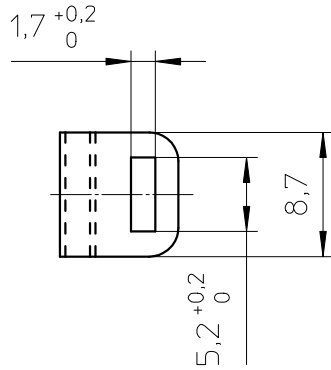
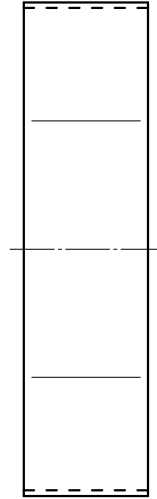
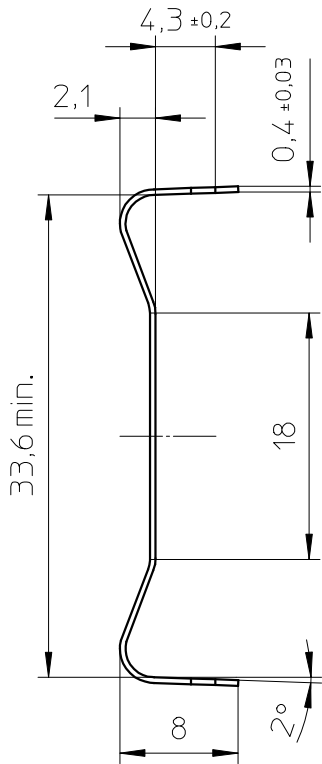
**FERROXCUBE**



1 2 3 4

a  
b  
c  
d

a  
b  
c  
d



Material: CrNi steel

CLASS.NO.									91-08-23	
									92-12-04	
									93-05-19	
									93-09-02	
									96-08-29	
NAME NAAM	M.Veekens	SUPERS. VERV.		1	SH BL.	112	-	001	010	A4
MPA	CHECK CONTR.	DAT.	91-08-23	Property of Eigendom van		© FERROXCUBE 2000				

CLI-ETD29

4322 021 34371

96-08-29