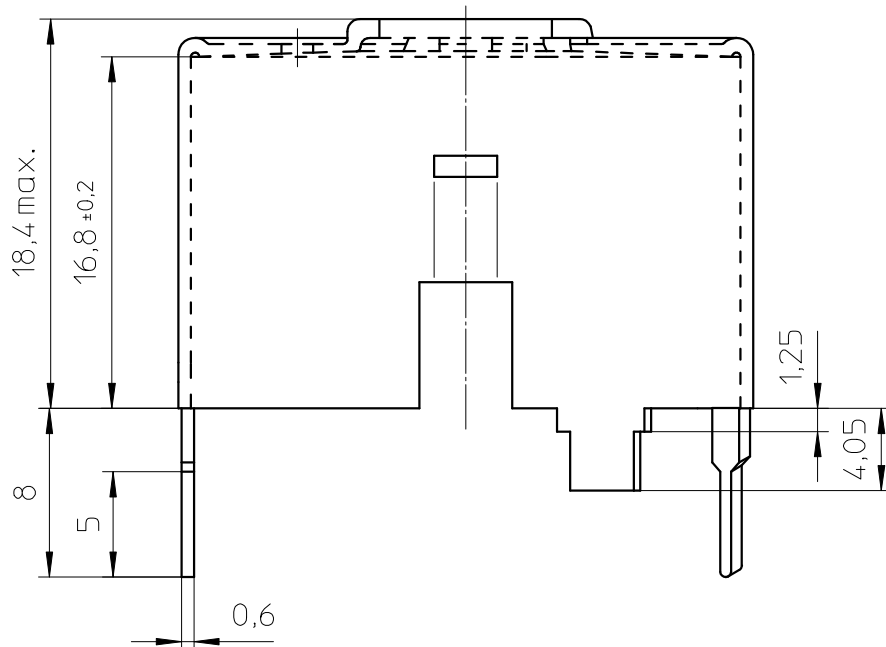
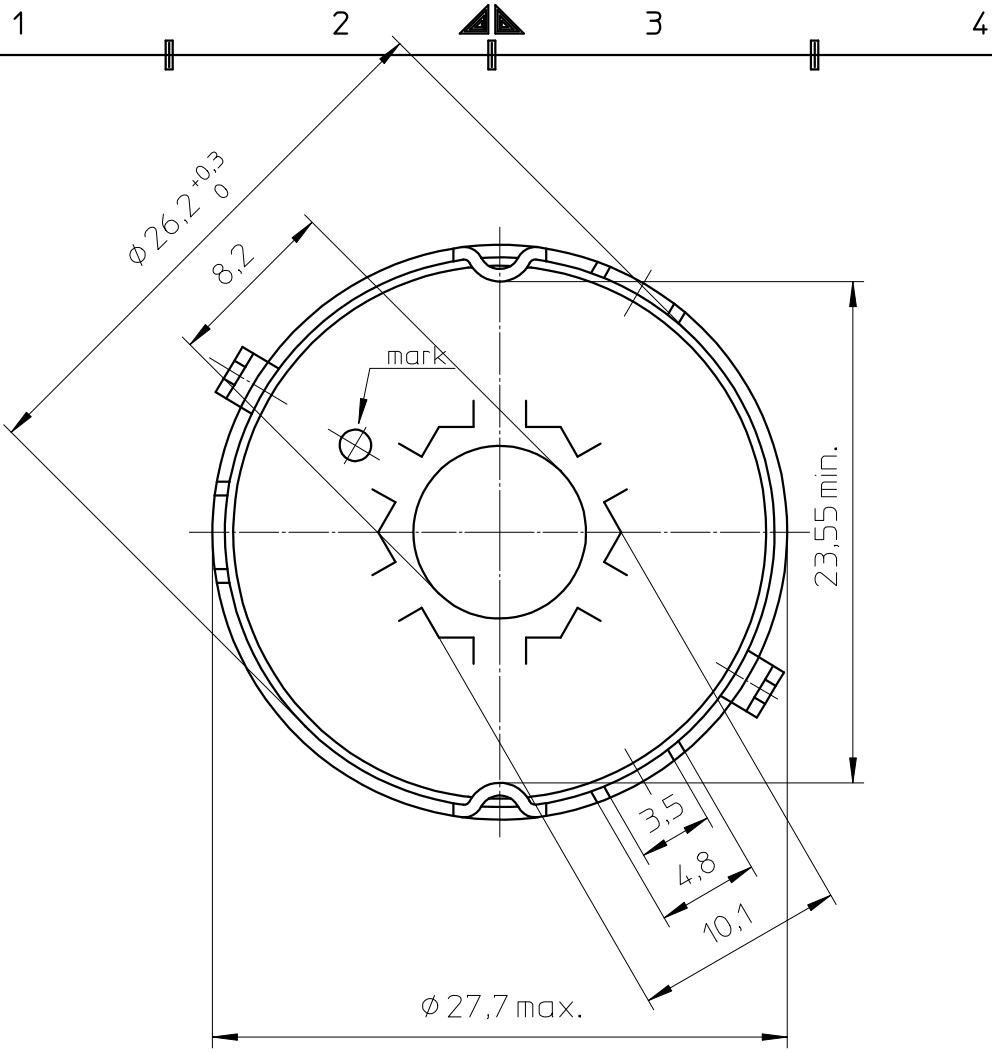
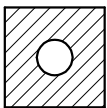
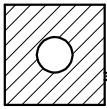


FERROXCUBE



Material: Brass, Cu flash, Sn plated.

Solderability acc. to IEC 60 068-2-20 Part 2, Test Ta, method 1.

CLASS.NO.		CON-P26/16		4322 021 03061		99-04-09			
99-04-09						01-10-01			
						03-02-13			
						04-10-20			
NAME NAAM		SUPERS. VERV.	1	SH BL.	112	-	001	010	05-07-14
MPA	CHECK CONTR.	DAT.	98-11-23	Property of Eigendom van		© FERROXCUBE 2000		A4	