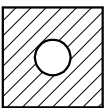
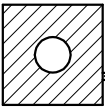


**FERROXCUBE**



1

2

3

4

a

b

c

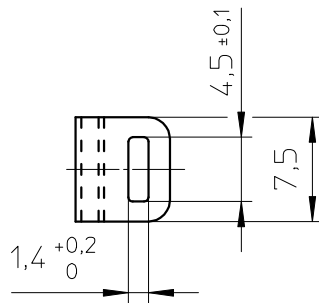
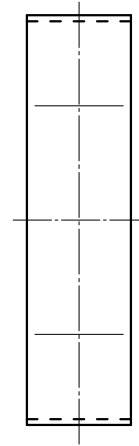
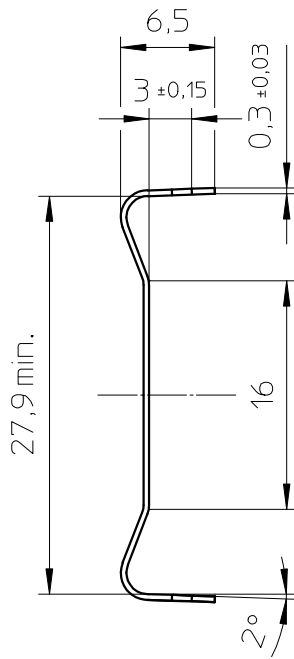
d

a

b

c

d



Material: CrNi steel

CLASS.NO.

96-10-30

CLI-E25/13/7

4322 021 00401

~~92-09-30~~

~~93-01-13~~

~~93-02-04~~

~~94-04-15~~

96-10-30

NAME  
NAAM M.Veekens

SUPERS.  
VERV.

1

SH  
BL.

112

-

001

010

A4

MPA

CHECK  
CONTR.

DAT.

92-09-30

Property of  
Eigendom van

© FERROXCUBE 2000