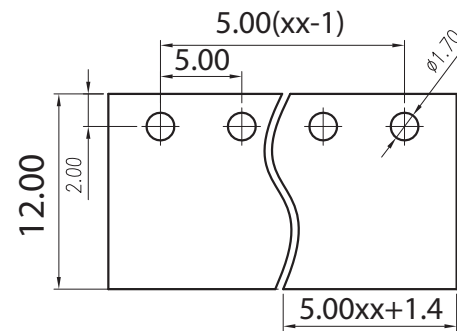


SECTION: A-A



p.c.b. layout

Approvals



15A-300V
10A-320V

Electrical

Rated voltage 320V
 Rated current 20A
 Contact resistance 20mΩ
 Insulation resistance 500MΩ/DC500V
 Withstanding voltage AC2000V1 min
 Wire range

 Torque
 Temp. Range -40°C+105°C
 Stripping length
 Max sold. time +250°C for 5 sec

Dimensions

Pitch 5 mm
 Poles 02÷24

Material

Housing PA66 UL94V0
 Pin Copper Alloy, tin plated
 Cage
 Screws
 Side Block
 Nut screw
 Clamp

General description of ordering code

Series	n. Poles	Pitch	Version	Color	Custom
CCM	02÷24	-5	-CH		

Version Date

01/19 07/11/19



euro-block



UNITS: mm

SHEET SIZE: ISO A4

SCALE: 10:1

> 0 ~ 3

> 3 ~ 18

> 18 ~ 50

> 50 ~ 120

± 0.12

± 0.15

± 0.3

± 0.5



First angle projection

CCM-5-CH