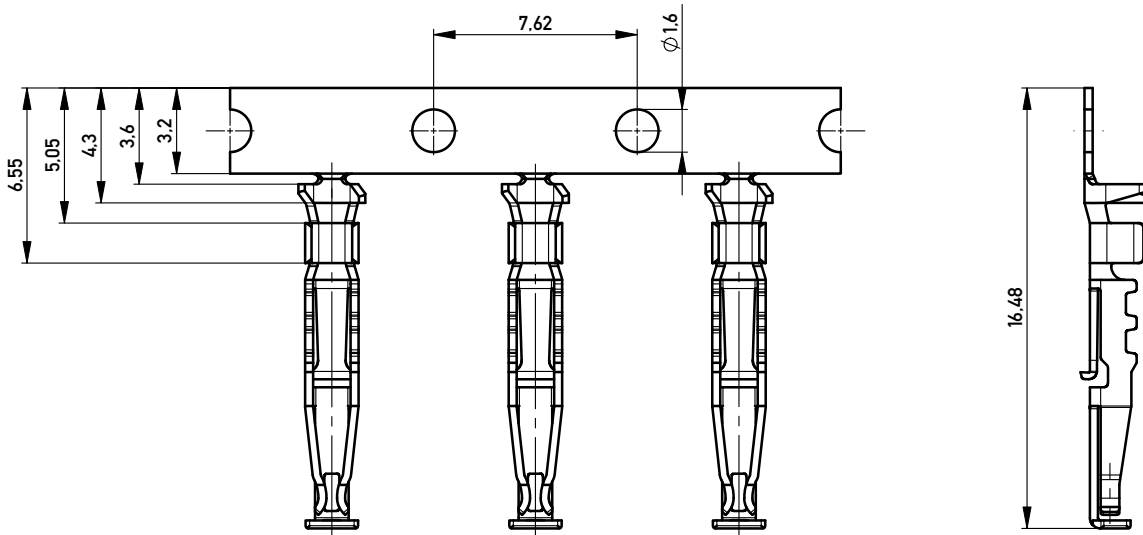
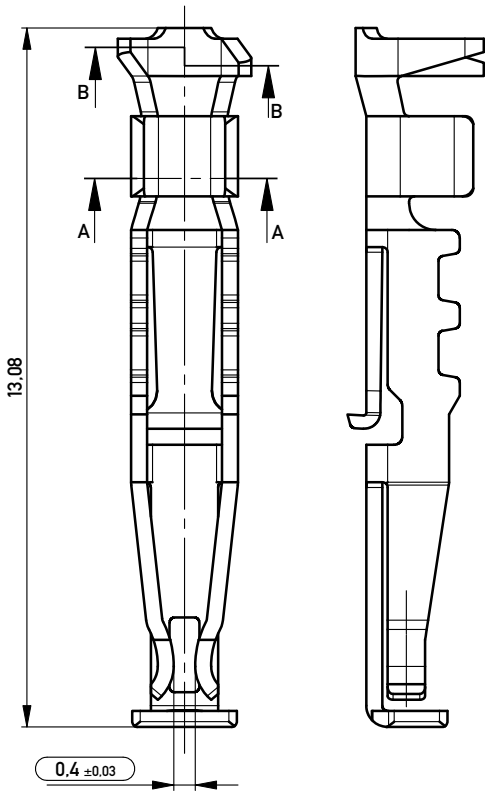


Federkontakte am Band
spring contact on carrier strip

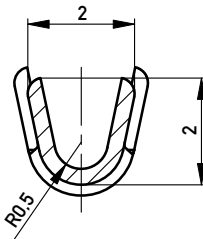


Federkontakt vereinzelt
spring contact isolated



Schnitt A-A
cross section A-A

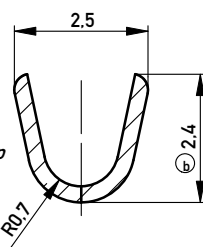
M 10:1



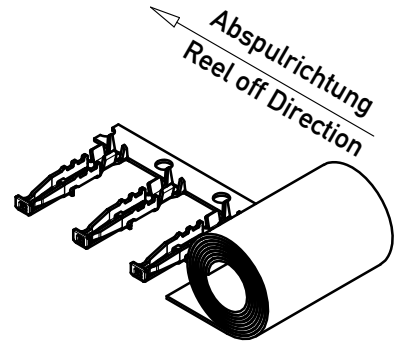
Drahtcrimp
wire crimp

Schnitt B-B
cross section B-B

M 10:1



Isolationscrimp
insulation crimp



284069	AWG 20-22	10000	∅ 590	137	
284070		500	∅ 130	137	
Ident-Nr. part-no.	Leiterquerschnitt wire cross section	Menge quantity	Spulendurchmesser reel diameter	Anforderungsstufe class	Bemerkung remark
Information:		Tolerances		Scale 2:1	
All rights reserved. Only for Information. To ensure that this is the latest version of this drawing, please contact one of the ERNI companies before using.		Subject to modification without prior notice. Drawing will not be updated.		Designation Federkontakte 2,54 SRC-A <i>Spring contact 2,54 SRC-A</i>	
C	21.01.2010		www.ERNI.com	284068	I
Index	Date	Class SRCBUT			A3

Copyright by ERNI GmbH
Proprietary notice pursuant to ISO 10166 to be observed.