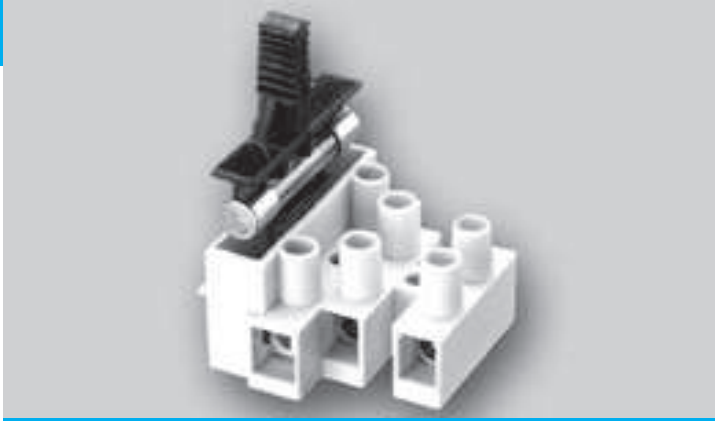


Fused Connectors



1003 Si

Connection: conductor size 0.5 - 4.0 mm² (with wire protector)
conductor size 0.5 - 10.0 mm² (without wire protector)

Fixing: by screw or rivet size Ø 3.6 mm and anti-twist protection

Torque screw: M3.5: ⌀ max. 0.8 Nm

Stripping length: 7.5 - 8 mm

Fuse size: 6.3 x 25 (or 32) mm,
power dissipation 4 W at T 23 °C

Important approvals: VDE, UL

Accessories: strain reliefs (page 86)

Upon request: pre-assembled fuses, printing, different polyamides (in particular glow wire to EN 60335-1), different screws



1003 Si E with PE Contact to the Base Plate

Connection: conductor size 0.5 - 4.0 mm² (with wire protector)
conductor size 0.5 - 10.0 mm² (without wire protector)

Fixing: by screw or rivet size Ø 3.6 mm and anti-twist protection, PE connection to the 2nd pole by screw M3.5 x (12 mm + thickness of plate and tooth lock washer)

Torque screw: M3.5: ⌀ max. 0.8 Nm

Stripping length: 7.5 - 8 mm

Fuse size: 6.3 x 25 (or 32) mm,
power dissipation 4 W at T 23 °C

Accessories: strain reliefs (page 86)

Upon request: pre-assembled fuses, printing, different polyamides (in particular glow wire to EN 60335-1), different screws

Description	Item	Order Number	PU
with Wire Protectors			
1 pole	1003 Si/ 1 DS	171301	100
2 pole	1003 Si/ 2 DS	171302	200
3 pole	1003 Si/ 3 DS	171303	200
4 pole	1003 Si/ 4 DS	171304	100
5 pole	1003 Si/ 5 DS	171305	100
without Wire Protectors			
1 pole	1003 Si/ 1	171201	100
2 pole	1003 Si/ 2	171202	200
3 pole	1003 Si/ 3	171203	200
4 pole	1003 Si/ 4	171204	100
5 pole	1003 Si/ 5	171205	100

Description	Item	Order Number	PU
wih Wire Protectors			
3 pole	1003 Si/ 3 E DS	171703	200
4 pole	1003 Si/ 4 E DS	171704	100
5 pole	1003 Si/ 5 E DS	171705	100
without Wire Protectors			
3 pole	1003 Si/ 3 E	171603	200
4 pole	1003 Si/ 4 E	171604	100
5 pole	1003 Si/ 5 E	171605	100

